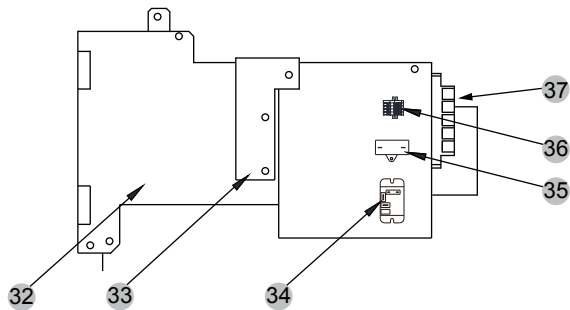
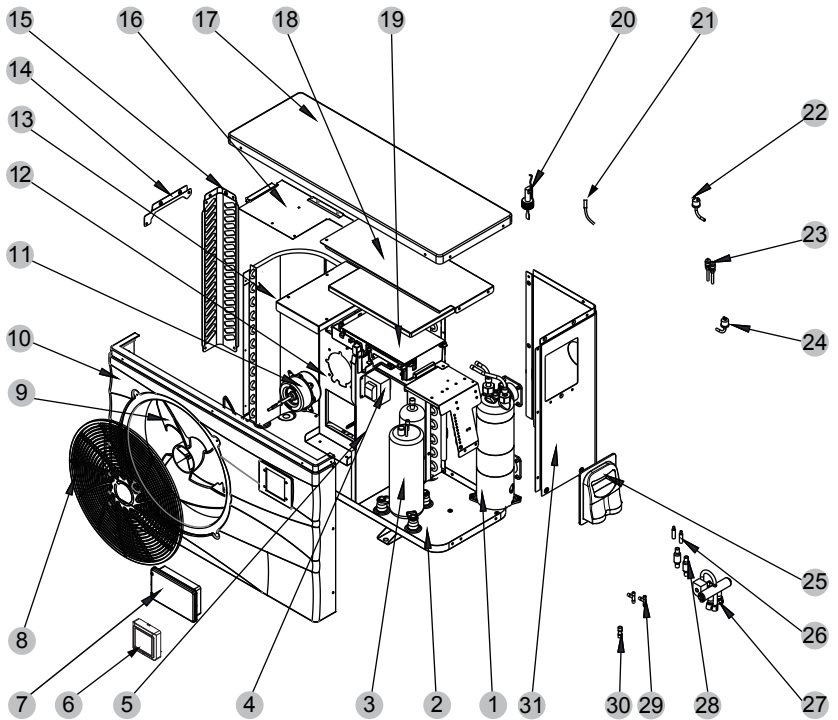


Exploded Diagram

Model and code:(E75Inv 10110287)

1 Complete machine structure explosion diagram



Exploded Diagram

No.	Code	Name	Specifications	Qty
1	80601562	Titanium tube heat exchanger	$\Phi 9.52 \times 6m \Phi 110$	1
2	80713849	Chassis	Galvanized plate	1
3	80100140	Compressor	FTz-SN150AXBA	1
4	82500020	Reactor	EL165FN	1
5	80712429	Median septum	Galvanized plate	1
6	72200547	Display	LED206	1
7	301090-00000013	Water proof box	PC+ABS	1
8	20000-220245	Plastic fan net	$\Phi 461$ ABS	1
9	301030-00000006	Axial fan blades	$\Phi 405 \times 134 - \Phi 8(7) \times 3$	1
10	80901381	Front frame	ASA	1
11	80200218	Fan motor	YDK40-6H1	1
12	80712427	Motor bracket	Galvanized plate	1
13	80601659	Finned heat exchanger	$580 \times 200 \times 550 \times \Phi 7 \times 1$ 2.0	1
14	80713848	Connecting plate	Galvanized plate	1
15	80713847	Back support plate	Galvanized plate	1
16	80712431	Top support plate	Galvanized plate	1
17	80901383	Top	ASA	1
18	80712430	Electric top plate	Galvanized plate	1
19	72200424	Variable frequency controller	82300130+82400398	1
20	83000068	Water flow switch	PSL-1 3/4	1
21	83000049	Ambient temp sensor	150-502-98674 (5K) 350mm WHT	1
22	2001-3605	Pressure switch	$3.2MPa/4.4MPa \pm 0.15$	1
23	20000-140150	Needle valve	40mm 1/2"	2
24	20000-360157	Pressure switch	$0.30MPa/0.15MPa \pm 0.05$	1
25	32009-220029	Junction box body	B ABS	1
26	20000-140058	Reducer	$\Phi 9.52 - \Phi 3.4 \times 0.75$ T2M	2
27	82000596	Four-way valve	SHF-9H-35U-P	1
28	20000-140178	Filter	$\Phi 9.7 - \Phi 9.7(\Phi 19)$ T2M	2
29	2000-1460	Three-way valve	$\Phi 6.5 - 2 \times \Phi 6.5(T) \times 0.75$ T2M	2
30	304030-00000002	Three-way valve	$\Phi 9.52 - 2 \times \Phi 6.35(T) \times 1.0$	1
31	80715373	Right side of the plate	Galvanized plate	1
32	80716805	Support plate	Galvanized plate	1
33	80712434	Electrical box support plate	Galvanized plate	1
34	20000-360297	Relay	HATF903AS30AC220 AC220V 30A	1

Exploded Diagram

No.	Code	Name	Specifications	Qty
35	2000-3506	Fan capacitor	CBB61-2 μ F/500V	1
36	20000-390046	Terminals	MSB 2.5-M	4
37	4000-3901	5 bit wiring block	RS9101C-5	1