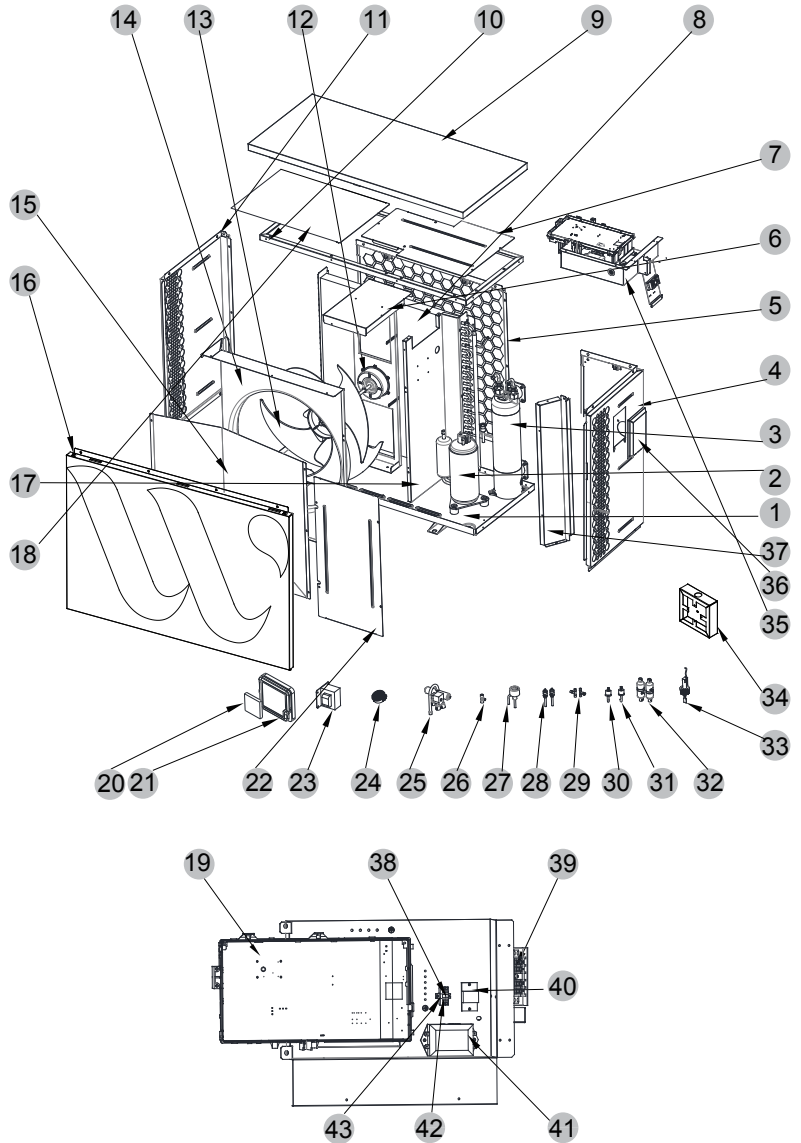


Exploded Diagram

Model and code: (PASRW040-P-BP6II-X-D 10120220)

1 Complete machine structure explosion diagram



Exploded Diagram

Nb.	Code	Name	Specifications	Qty
1	80709972	Chassis	Galvanized sheet	1
2	80100046	Compressor	SVB220FLGMC-L	1
3	80600096	Titanium Tube Heat Exchanger	Φ9.52×10m Φ110	1
4	80712596	Right panel	Galvanized sheet	1
5	80709973	Back net	Galvanized sheet	1
6	80709977	Fan motor bracket	Galvanized sheet	1
7	80710005	Support plate	Galvanized sheet	1
8	80601430	Fin Heat Exchanger	662×700×Φ7×2 1.8	1
9	80709984	Top cover	Galvanized sheet	1
10	80709976	Top frame assembly	ZWS75-A	1
11	80715442	Left panel	Galvanized sheet	1
12	20000-330132	Fan motor	Galvanized sheet	1
13	20000-270004	Fan blade	Z500-145	1
14	80707730	Wind deflector panel	Galvanized sheet	1
15	80709986	Wind deflector	Galvanized sheet	1
16	80714935	Front panel	Galvanized sheet	1
17	80709987	Median septum	Galvanized sheet	1
18	80711447	Support plate	Galvanized sheet	1
19	72200361	Inverter board controller	82300129+82400328	1
20	82300038	Wirecontroller	MXL230	1
21	20000-220068	Waterproof box	Tawny gloss	1
22	80709988	Partition	Galvanized sheet	1
23	82500021	Reactor	EL205FN	1
24	80900768	Sheath	NYLON66,94V-2(BLACK)5	4
25	20000-140485	Reversing Valve	DSF-11E-1030	1
26	304030-00000002	Tee-joints	Φ9.52-2×Φ6.35(T)×1.0	1
27	81000017	Electronic Expansion Valve	DPF(TS1)2.0C-03	1
28	20000-140150	Needle valve	40mm 1/2"	2
29	2000-1460	Tee-joints	Φ6.5-2×Φ6.5(T)×0.75 T2M	2
30	2001-3605	High pressure switch	3.2MPa/4.4MPa ±0.15	1
31	20000-360157	Low pressure switch	0.30MPa/0.15MPa ±0.05	1
32	2004-1444	Filter	Φ9.7-Φ9.7(φ28)T2Y2	2
33	83000068	Water flow switch	PSL-1 3/4	1
34	20000-210070	Wire controller mounting box	Galvanized sheet	1

Exploded Diagram

No.	Code	Name	Specifications	Qty
35	80712595	Electrical box	Galvanized sheet	1
36	80715440	Junction box	Galvanized sheet	1
37	80709989	Stand column	Galvanized sheet	1
38	20000-390049	Terminal	MSB 2.5-F	1
39	4000-3901	5-pole Terminal	RS9101C-5(450V~ 4mm2)	1
40	20000-360297	Relay	HATF903AS30AC220 AC220V 30A	1
41	2000-3257	EMC Filter	HT225-20-L8-H5	1
42	20000-390046	Terminal	MSB 2.5-M	4
43	20000-390047	Terminal end plate	D-MSB 1.5-F	1