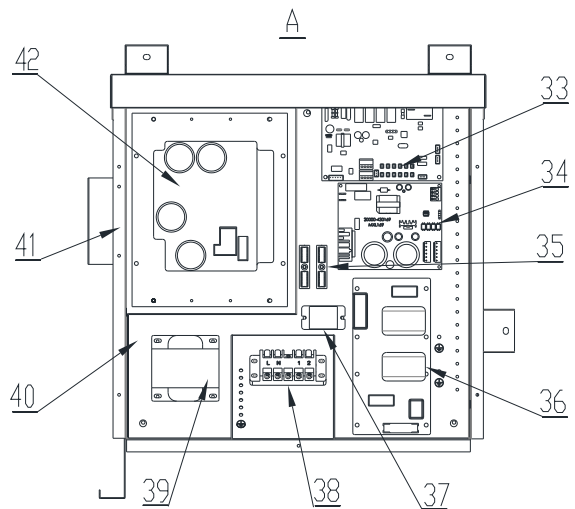
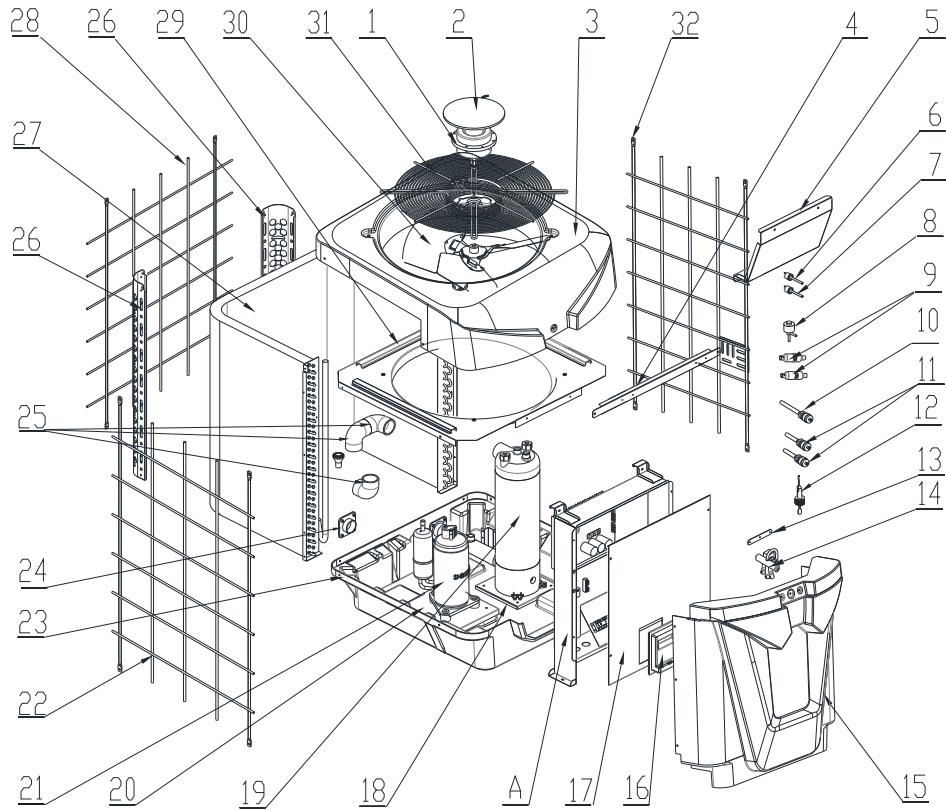


PASRW030-U-P-BP (10110101)



SN	Part Code	Part name	Standard
1	20000-330381	Axial flow fan motor	ZWS200-B3
2	20000-220320	Cover plate	ABS+PC
3	32000-220004	The top	ABS 3 mm UV resistant black fine lines
4	32012-210723	The beam	1.0 spraying black galvanized sheet
5	32012-210724	The fan guard	1.0 spraying black galvanized sheet
6	2001-3605	High Pressure switch	3.2 MPa / 4.4 MPa + / - 0.15 normally closed
7	20000-360157	Low Pressure switch	0.3 MPa / 0.15MPa + / - 0.05 normally open
8	20000-140450	Electronic expansion valve	DPF(TS1)2.0C-03(body printing: TS120C03)
9	20000-140027	The filter	Φ12.9-Φ12.9 (Φ28) T2V2
10	20000-140512	needle valve	95mm 7/16"
11	20000-140150	needle valve	40mm 1/2"
12	20000-360005	flow switch (mould)	PSL 1 3/4 teeth all plastic inside
13	32002-210084	Surface box fixed plate	1.0 spraying black galvanized sheet
14	2004-1437	4-way valve	SHF-9H-35U-P
15	80900600	The front panel	ABS 3 mm UV resistant black fine lines
16	20000-220247	The junction box body	C ABS black
17	80702647	Electrical plate	1.0 spraying black galvanized sheet
18	32009-210618	Titanium pipe support	1.0 spraying black galvanized sheet
19	80600427	Titanium tube heat exchanger	Φ9.52×10m Φ110 titanium threaded pipe
20	32009-210617	Press stents	1.0 spraying black galvanized sheet
21	80100046	Compressor	SVB220FLGMC-L
22	80704158	Left protect net	Φ4/Φ5 iron wire spraying black galvanized sheet
23	32000-220002	chassis	ABS 3 mm UV resistant black fine lines
24	2003-1379	Joint	F 50 x 1.5 "internal thread 80 x 80 square plate PVC
25	2001-1359	The 90 ° elbow	Φ50 PVC
26	32000-210086	After the pillarWater	1.0 spraying black galvanized sheet
27	80600541	Finned heat exchanger	511×682×511×700×Φ7
28	32012-210730	back protect net	Φ4/Φ5 iron wire spraying black galvanized sheet
29	32012-210720	Top support plate component	Do not spray
30	20000-270062	Axial flow fan	ZF5.22-H140-J3-D12.7 Φ522clockwise 3 leaf
31	32012-210732	Fan nets (with plastic cover)	Φ6 Φ3 iron wire
32	32012-210729	Right protect net	Φ4/Φ5 iron wire spraying black galvanized sheet
33	20000-430227	Master control board	Pc1004
34	20000-430228	Fan speed regulation module	ZL10 V3
35	2000-3909	Two socket	RS9211(450V- 4mm2)
36	302010-0000007	Output Filter	AC19I32.RWL.150813
37	20000-360297	Electric relay	HATE903AS30AC220 AC220V 30A
38	4000-3901	Five-bit socket	RS9101C-5(450V- 4mm2)(L, N, PE, 1, 2)
39	82500009	Reactance	R2050L(AL)
40	80703695	Electrical box liner	Do not spray
41	80702624	Electrical box	1.0 spraying black galvanized sheet
42	82300019	Driver board	2AC32I07WM1